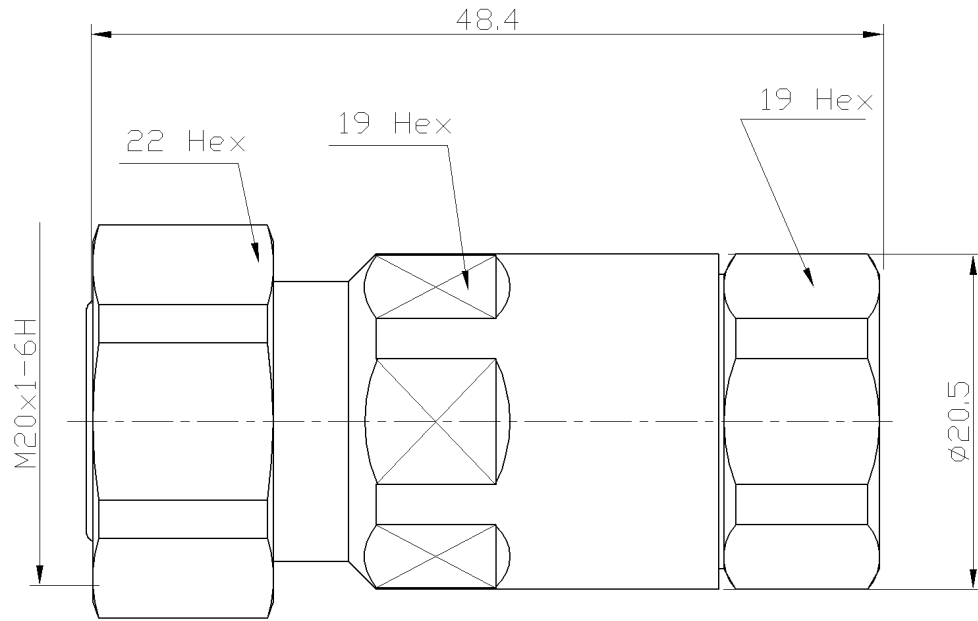




RevNo	Revision note	Date	Signature	Checked	RoHS Compliant.
V1.0	Sketch only				



材料与电镀 Materials&Electroplating	
内导体 Conduct	黄铜/镀银 Brass/ Silver Plating
介质 Insulator	聚四氟乙烯 PTFE
外壳 Body	黄铜镀三元合金 Brass /Ternary
其他零件 Other Parts	黄铜镀镍 Brass/ Nickel Plating
电气性能 Electric Performance	
阻抗 Impedance	50 欧姆 50 OHMS
频率范围 Frequency Range	0-3GHz
驻波比 VSWR	≤1.30
额定电压 Rating Voltage	500V

Unless otherwise specified, tolerances as below: .x ±0.15 .xx ±0.1 .xxx ±0.05 Angle: ±2°	Material:	See Notes	Weight	-	 Lenor 乐福士
	Finish:	See Notes	Scale	-	
	Unit	mm	Page	01	
	REV.	V1.0	DWG No	-	
Drawn	Date:	Projection		Cust P/N.	P/N 料号 70-5161-245-01
Checked	Date:	Title: 4.3/10 PLUG CLAMP FOR 1/2S CABLE			
Approved	Date:				