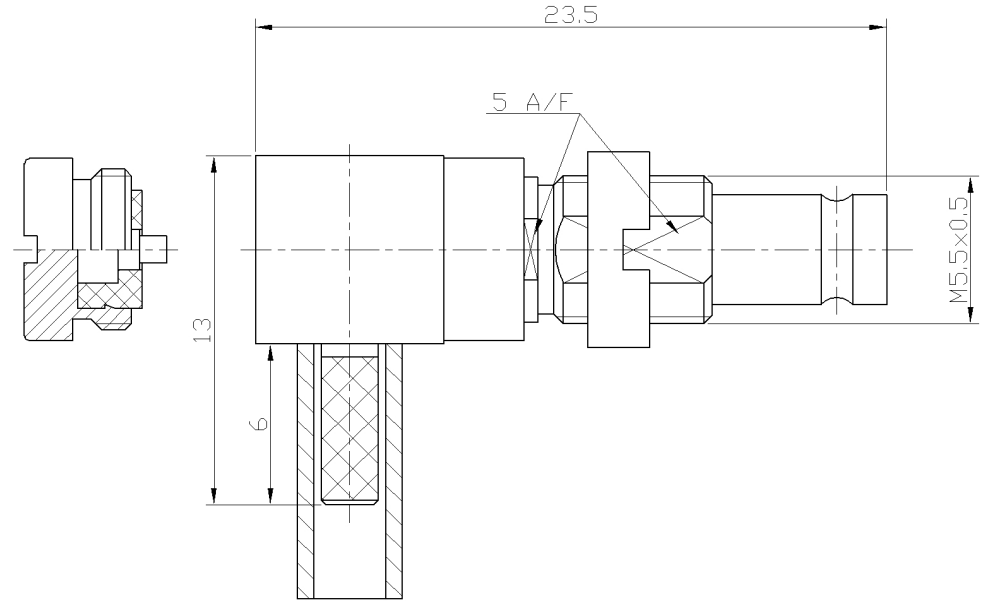


RevNo	Revision note	Date	Signature	Checked
V1.0	Sketch only			



**材料与电镀**  
**Materials&Electroplating**

内导体 Conduct	镀青铜镀金 QBe2-Y/ Gold Plating
介质 Insulator	聚四氟乙烯 PTFE
外壳 Body	黄铜镀金 Brass / Gold Plating
其他零件 Other Parts	黄铜镀镍 Brass / Nickel Plating

**电气性能**  
**Electric Performance**

阻抗 Impedance	75 欧姆 OHMS
频率范围 Frequency Range	0-2GHz
驻波比 VSWR	≤1.25
额定电压 Rating Voltage	250V

Unless otherwise specified,  
tolerances as below:  
.x ±0.15  
.xx ±0.1  
.xxx ±0.05  
Angle: ±2°

Material:	See Notes	Weight	-
Finish:	See Notes	Scale	-
Unit	mm	Page	01
REV.	V1.0	DWG No	-
Drawn	Date:	Projection	
Checked	Date:	Title:	1.0/2.3 JACK RIGHT ANGLE CRIMP FOR 2.2
Approved	Date:	品名	

**LenoRF 乐福士**

P/N 料号 80-7060-104-01  
Cust P/N.