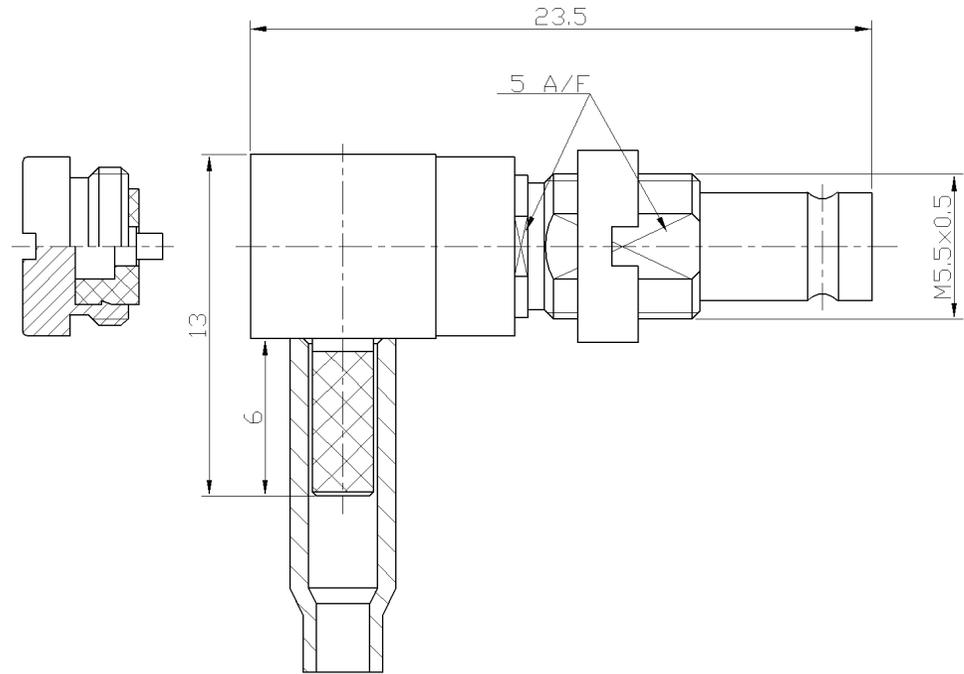
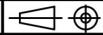


RevNo	Revision note	Date	Signature	Checked
V1.0	Sketch only			

RoHS Compliant.



<b>材料与电镀</b> <b>Materials&amp;Electroplating</b>	
内导体 Conduct	镀青铜镀金 QBe2-Y/ Gold Plating
介质 Insulator	聚四氟乙烯 PTFE
外壳 Body	黄铜镀金 Brass / Gold Plating
其他零件 Other Parts	黄铜镀镍 Brass / Nickel Plating
<b>电气性能</b> <b>Electric Performance</b>	
阻抗 Impedance	75 欧姆 75 OHMS
频率范围 Frequency Range	0-2GHz
驻波比 VSWR	≤1.25
额定电压 Rating Voltage	250V

Unless otherwise specified, tolerances as below: .x ±0.15 .xx ±0.1 .xxx ±0.05 Angle: ±2°	Material:	See Notes	Weight	-	 <b>LenoRF 乐福士</b>
	Finish:	See Notes	Scale	-	
	Unit	mm	Page	01	
	REV.	V1.0	DWG No	-	
Drawn	Date:	Projection		P/N 料号	80-7060-104-04
Checked	Date:	Title:		Cust P/N.	
Approved	Date:	品名		1.0/2.3 JACK BHD RIGHT ANGLE CRIMP FOR 1.6	