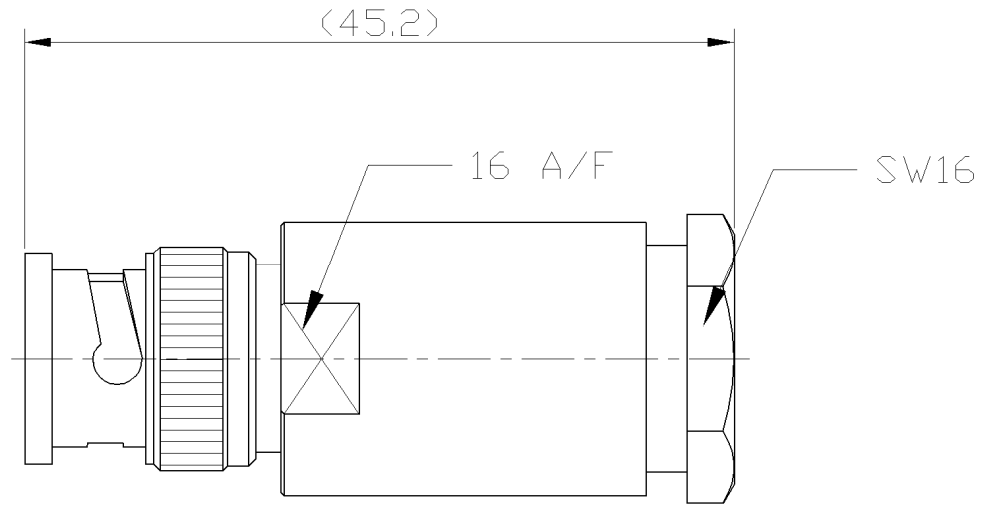


RevNo	Revision note	Date	Signature	Checked	
V1.0	Sketch only				

RoHS Compliant.





**材料与电镀  
Materials&Electroplating**

内导体 Conduct	黄铜/镀金 Brass/Gold Plating
介质 Insulator	聚四氟乙烯 PTFE
外壳 Body	黄铜/镀镍 Brass/Nickel Plating
其他零件 Other Parts	黄铜/镀镍 Brass/Nickel Plating

**电气性能  
Electric Performance**

阻抗 Impedance	50 欧姆 50 Ohms
频率范围 Frequency Range	0~3Ghz
驻波比 VSWR	1.25
额定电压 Rating Voltage	350VAC

Unless otherwise specified, tolerances as below: .x ±0.15 .xx ±0.1 .xxx ±0.05 Angle: ±2°	Material:	See Notes	Weight	-	 <b>LenoRF 乐福士</b>	
	Finish:	See Notes	Scale	-		
	Unit	mm	Page	01		
	REV.	V1.0	DWG No	-		
Drawn		Date:	Projection		P/N 料号	82-5161-217-01
Checked		Date:	Title:		Cust P/N.	
Approved		Date:	品名	BNC PLUG CLAMP FOR RG213 RG214 CABLE		