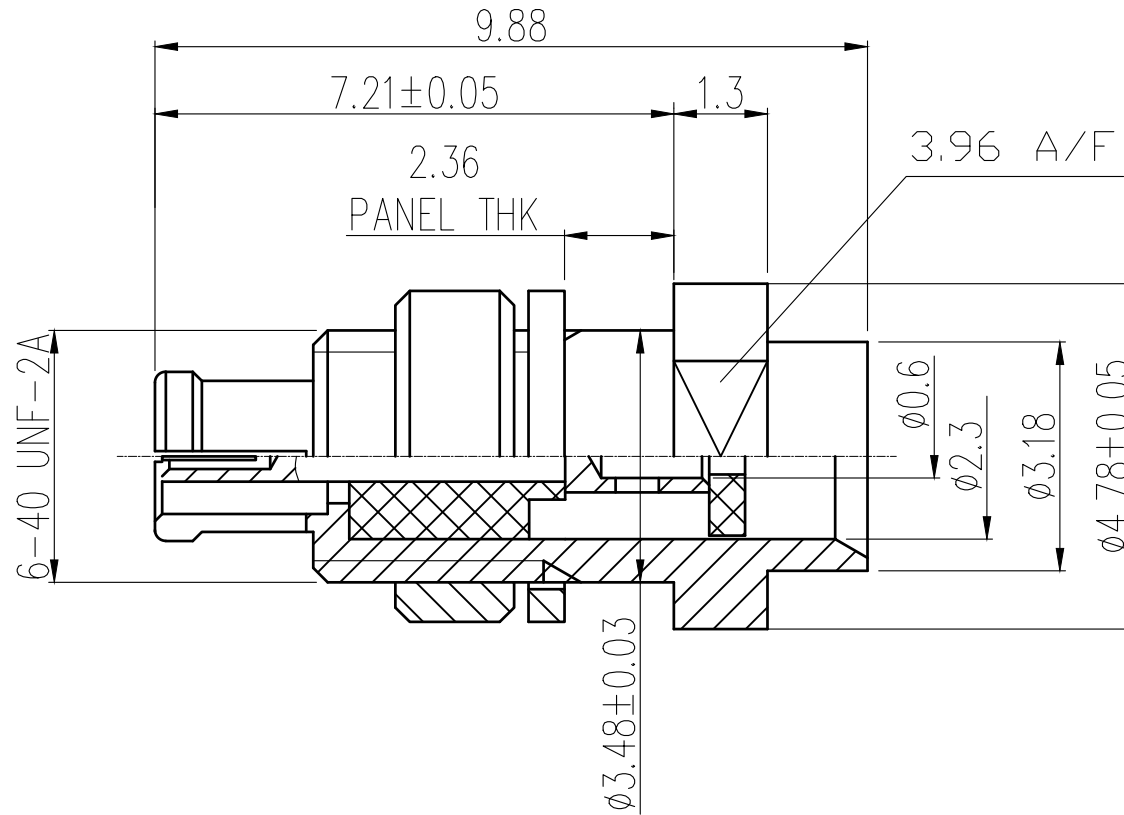


RevNo		Revision note		Date	Signature	Checked
V1.0		Sketch only		19/05/2023		

RoHS Compliant.



Interface Per: MIL-STD-348

Material & Finishing:

1. Center contact: Beryllium copper, Gold plating 1.27um
2. Insulators: PTFE
3. Body: Brass, Beryllium copper, Gold plating 1.27um
4. Jam nut: Brass, Nickel plating 3um
5. Lock washer: Phosphor bronze, Nickel plating 3um

Electrical Data:

1. Impedance: 50 Ohms
2. Frequency: DC~65GHz
3. Test Voltage: 325 VRMS
4. OPERATING TEMP.: -55°C TO +125°C

Unless otherwise specified, tolerances as below:
 .x ±0.15
 .xx ±0.1
 .xxx ±0.05
 Angle: ±2°

Material:	See Notes	Weight	g		
Finish:	See Notes	Scale	8:1		
Unit	mm	Page	01		
REV.	V1.0	p/n	01		
Drawn	DATA:	Projection		DWG NO.	3.21.006
Checked	DATA:	Title:		Cust P/N.	TBD
Approved	DATA:	SMPM FEMALE BULKHEAD MT. FOR T-FLEX 405 CABLE			