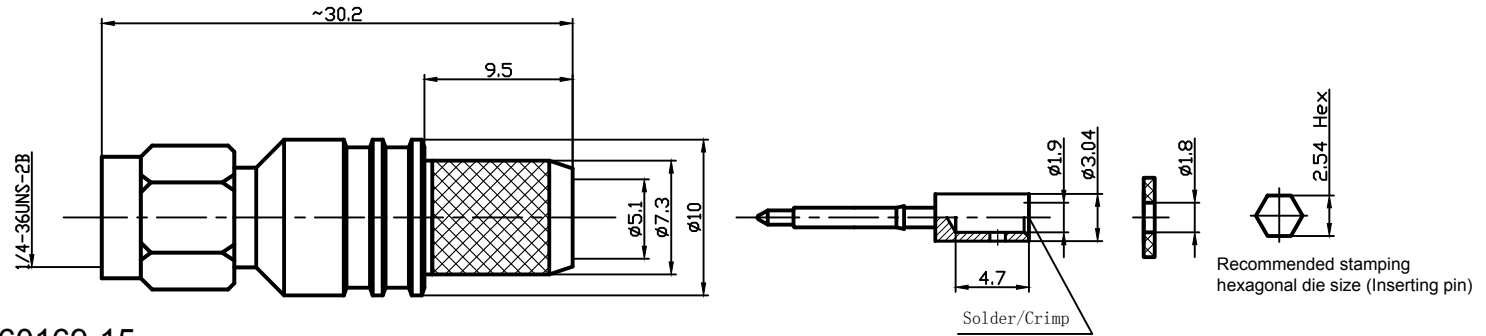


RevNo	Revision note	Date	Signature	Checked
V1.0	Sketch only	28/10/2024		

RoHS Compliant.



**Interface Per:** MIL-STD-348, IEC 60169-15  
**Cable Type:** LMR300

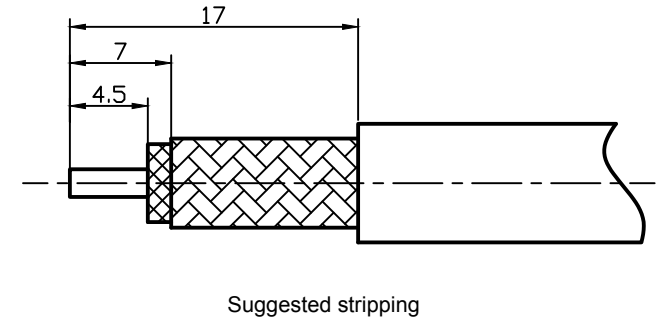
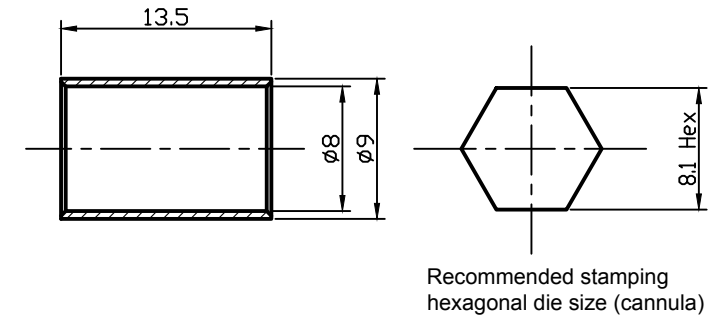
**Material & Finishing:**

1. Center condutor: Phosphor bronze, Gold Plating
2. Insulators: PTFE
3. Body : Brass, Gold Plating
4. Crimping Ferrule: Soft Copper, Gold Plating

**Electrical Data:**

1. Impedance: 50 Ohms
2. Frequency: 0~6GHz
3. VSWR:  $\leq 1.2$  @ 900MHz,  
 $\leq 1.25$  @ 1800MHz,  
 $\leq 1.35$  @ 3000MHz,  
 $\leq 1.6$  @ 6000MHz,
4. Insertion loss:  $\leq 0.05$ dB @ 900MHz,  
 $\leq 0.05$ dB @ 1800MHz,  
 $\leq 0.05$ dB @ 3000MHz,  
 $\leq 0.1$ dB @ 6000MHz,
5. Dielectric Withstanding voltage: 1000V Min
6. Voltage Rating : 500V Max

**Package :** 1 PC per bag  
**Laser Mark:** LenoRF



**Label Content:**

LenoRF  
 Part No: 3.01.334  
 Part Name: SMA PLUG FOR LMR300 CABLE  
 QTY: 1 PC  
 Date: WW/YY (Week/year)

Unless otherwise specified, tolerances as below: .x ±0.15 .xx ±0.1 .xxx ±0.05 Angle: ±2°	Material:	See Notes	Weight	g			
	Finish:	See Notes	Scale	8 : 1			
	Unit	mm	Page	01			
	REV.	V1.0	p/n	01			
Drawn	DATA:	Projection			DWG NO.	3.01.334	
Checked	DATA:	Title:	SMA PLUG FOR LMR300 CABLE			Cust P/N.	TBD
Approved	DATA:						