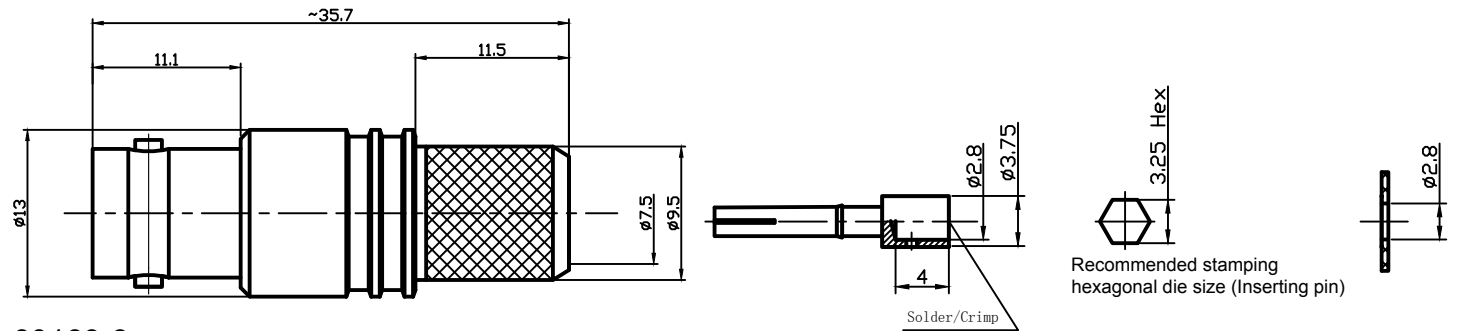


RoHS Compliant.

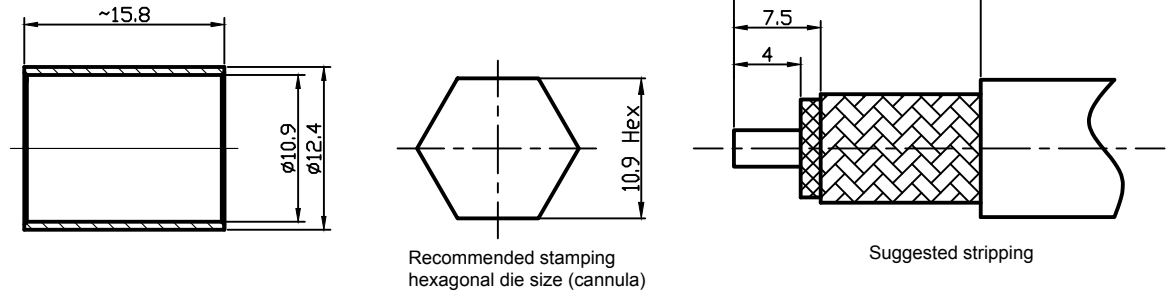
RevNo	Revision note	Date	Signature	Checked
V1.0	Sketch only	28/10/2024		



Interface Per: MIL-STD-348, IEC 60169-8
Cable Type: RG8

Material & Finishing:

1. Center conductor: Phosphor bronze, Gold Plating
2. Insulators: PTFE
3. Body : Brass, Ternary alloy Plating
4. Crimping Ferrule: Soft Copper, Nickel Plating



Electrical Data:

1. Impedance: 50 Ohms
2. Frequency: 0~6GHz
3. VSWR: $\leq 1.2 @ 900\text{MHz}$,
 $\leq 1.25 @ 1800\text{MHz}$,
 $\leq 1.35 @ 3000\text{MHz}$,
 $\leq 1.6 @ 6000\text{MHz}$,
4. Insertion loss: $\leq 0.05\text{dB} @ 900\text{MHz}$,
 $\leq 0.05\text{dB} @ 1800\text{MHz}$,
 $\leq 0.05\text{dB} @ 3000\text{MHz}$,
 $\leq 0.1\text{dB} @ 6000\text{MHz}$
5. Dielectric Withstanding voltage: 1000V Min
6. Voltage Rating : 500V Max

Package : 1 PC per bag
Laser Mark: LenoRF

Label Content:

LenoRF
 Part No: 3.05.101
 Part Name: BNC JACK FOR RG8 CABLE
 QTY: 1 PC
 Date: WW/YY (Week/year)

Unless otherwise specified, tolerances as below: .x ± 0.15 .xx ± 0.1 .xxx ± 0.05 Angle: $\pm 2^\circ$	Material:	See Notes	Weight	g		
	Finish:	See Notes	Scale	8:1		
	Unit	mm	Page	01		
	REV.	V1.0	p/n	01		
Drawn	DATA:	Projection			DWG NO.	3.05.101
Checked	DATA:	Title:	BNC JACK FOR RG8 CABLE		Cust P/N.	TBD
Approved	DATA:					