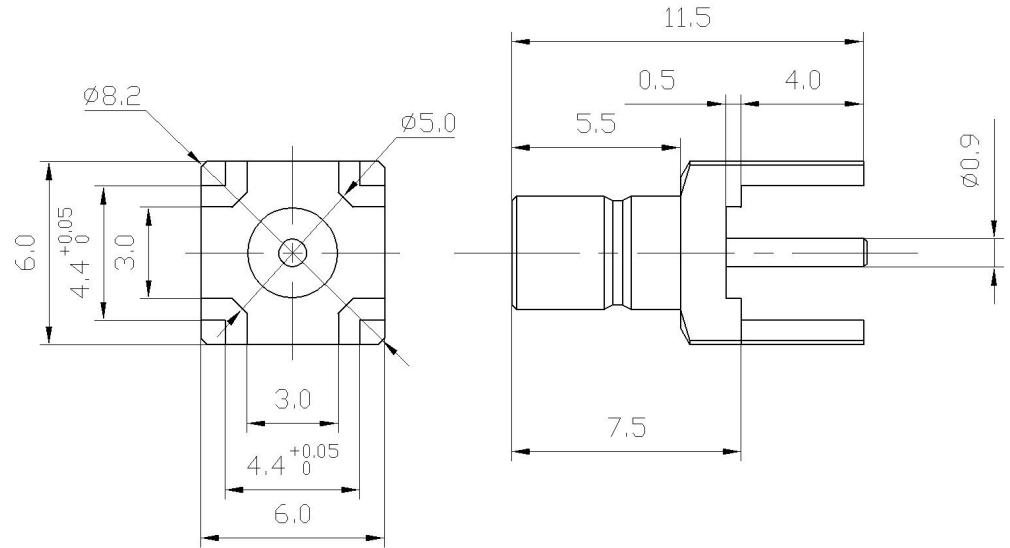


RevNo	Revision note	Date	Signature	Checked
V1.0	Sketch only			



材料与电镀



Materials&Electroplating

内导体 Conduct	黄铜/镀金 BRASS/Gold Plating
介质 Insulator	聚四氟乙烯 PTFE
外壳 Body	黄铜/镀金 BRASS/Gold Plating
其他零件 Other Parts	黄铜/镀金 BRASS/Gold Plating

电气性能
Electric Performance

阻抗 Impedance	50 欧姆 OHMS
频率范围 Frequency Range	0-3GHz
驻波比 VSWR	≤1.3
额定电压 Rating Voltage	500V

Unless otherwise specified, tolerances as below:
 .x ±0.15
 .xx ±0.1
 .xxx ±0.05
 Angle: ±2°

Material:	See Notes	Weight	-	 Lenor 乐福士	
Finish:	See Notes	Scale	-		
Unit	mm	Page	01		
REV.	V1.0	DWG No	-		
Drawn	Date:	Projection		P/N 料号	60-5161-011-03
Checked	Date:	Title:	SMB PLUG SOLDER FOR SMT		
Approved	Date:	品名			