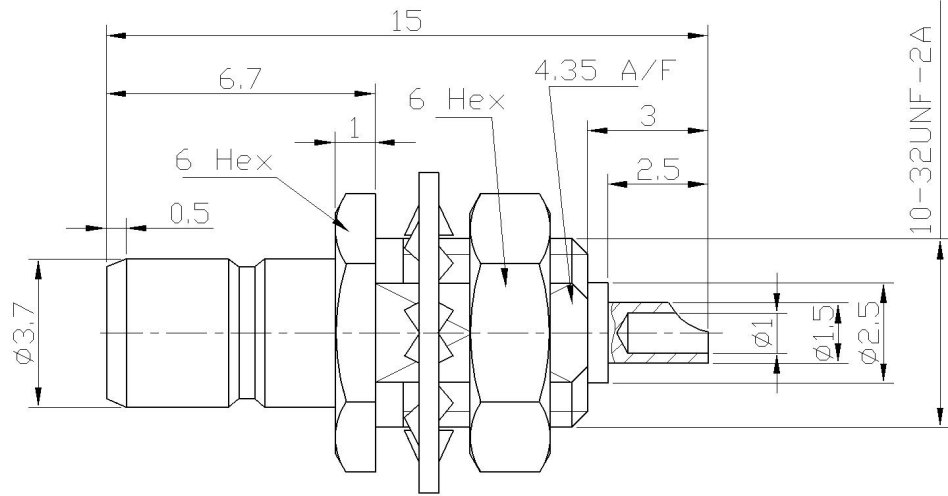




RevNo	Revision note	Date	Signature	Checked
V1.0	Sketch only			

RoHS Compliant.



材料与电镀 Materials&Electroplating	
内导体 Conduct	黄铜/镀金 BRASS/Gold Plating
介质 Insulator	聚四氟乙烯 PTFE
外壳 Body	黄铜/镀金 BRASS/Gold Plating
其他零件 Other Parts	黄铜/镀金 BRASS/Gold Plating
电气性能 Electric Performance	
阻抗 Impedance	50 欧姆 OHMS
频率范围 Frequency Range	0-3GHz
驻波比 VSWR	≤ 1.3
额定电压 Rating Voltage	500V

Unless otherwise specified, tolerances as below: .x ± 0.15 .xx ± 0.1 .xxx ± 0.05 Angle: $\pm 2^\circ$	Material:	See Notes	Weight	-	 Lenovo 乐福士
	Finish:	See Notes	Scale	-	
	Unit	mm	Page	01	
	REV.	V1.0	DWG No	-	P/N 料号
Drawn	Date:	Projection		Cust P/N.	
Checked	Date:	Title:	SMB PLUG BHD MOUNT RECEPTACLE		
Approved	Date:	品名			