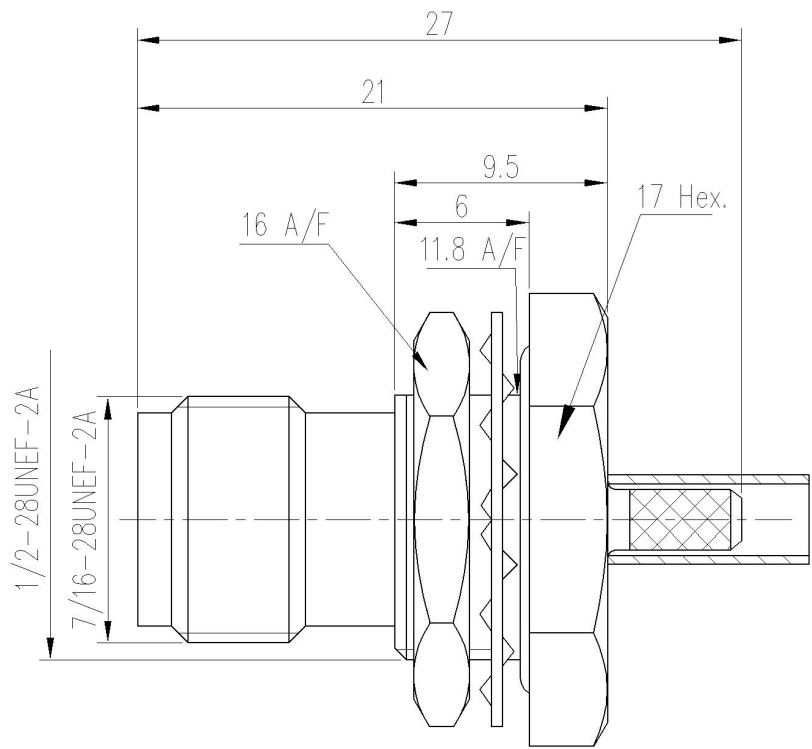


RevNo	Revision note	Date	Signature	Checked
V1.0	Sketch only			





**材料与电镀**  
**Materials&Electroplating**

内导体 Conduct	锡磷青铜/镀金 Phosphor Bronze/Gold Plating
介质 Insulator	聚四氟乙烯 PTFE
外壳 Body	黄铜/镀镍 BRASS/Nickel Plating
其他零件 Other Parts	黄铜/镀镍 BRASS/Nickel Plating

**电气性能**  
**Electric Performance**

阻抗 Impedance	50 欧姆 OHMS
频率范围 Frequency Range	0-3GHz
驻波比 VSWR	≤1.3
额定电压 Rating Voltage	800V

Unless otherwise specified, tolerances as below: .x ±0.15 .xx ±0.1 .xxx ±0.05 Angle: ±2°	Material:	See Notes	Weight	-	 <b>Lenor 乐福士</b>
	Finish:	See Notes	Scale	-	
	Unit	mm	Page	01	
	REV.	V1.0	DWG No	-	
Drawn	Date:	Projection		P/N 料号	67-5061-115-04
Checked	Date:	Title:		Cust P/N.	
Approved	Date:	品名		TNC JACK BHD CRIMP FOR RG316 CABLE	