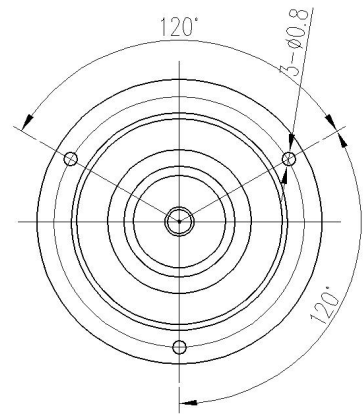
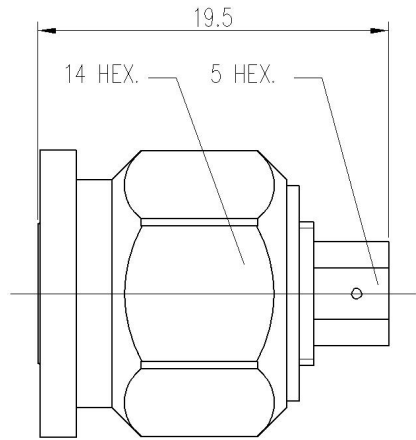


RevNo	Revision note	Date	Signature	Checked
V1.0	Sketch only			

RoHS Compliant.



材料与电镀
Materials&Electroplating

内导体 Conduct	黄铜/镀金 BRASS/Gold Plating
介质 Insulator	聚四氟乙烯 PTFE
外壳 Body	黄铜/镀镍 BRASS/Nickel Plating
其他零件 Other Parts	黄铜/镀镍 BRASS/Nickel Plating

电气性能
Electric Performance

阻抗 Impedance	50 欧姆 OHMS
频率范围 Frequency Range	0-3GHz
驻波比 VSWR	≤1.25
额定电压 Rating Voltage	800V

Unless otherwise specified,
tolerances as below:
.x ±0.15
.xx ±0.1
.xxx ±0.05
Angle: ±2°

Material:	See Notes	Weight	-
Finish:	See Notes	Scale	-
Unit	mm	Page	01
REV.	V1.0	DWG No	-
Drawn	Date:	Projection	第一角投影
Checked	Date:	Title:	TNC PLUG SOLDER FOR RG402 CABLE
Approved	Date:	品名	TNC PLUG SOLDER FOR RG402 CABLE



P/N 料号 67-5161-330-01

Cust P/N.