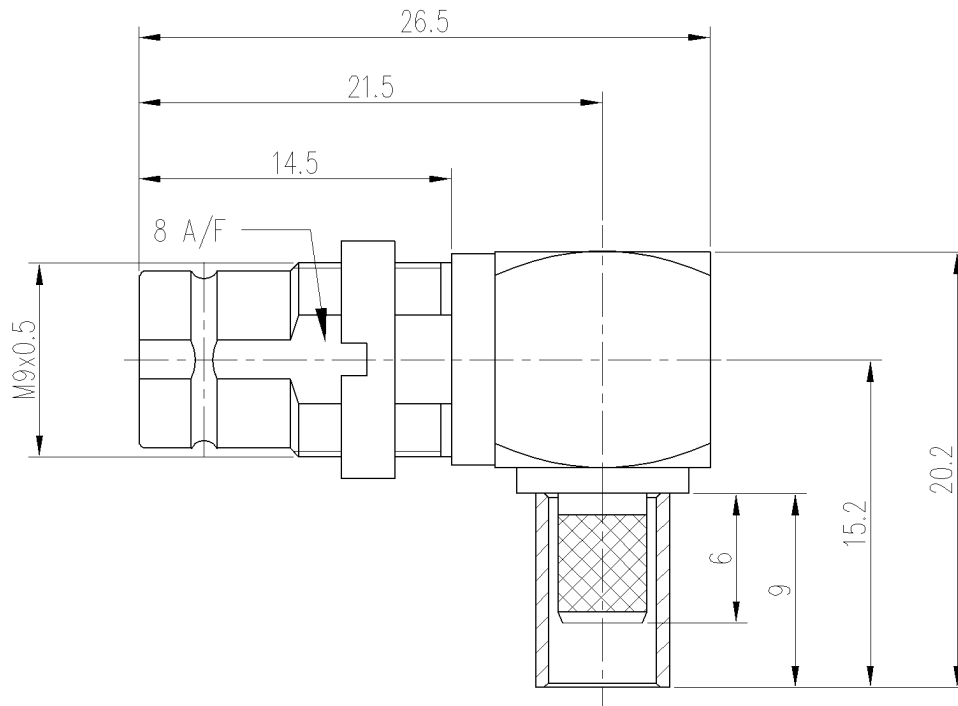


RevNo	Revision note	Date	Signature	Checked
V1.0	Sketch only			





材料与电镀
Materials&Electroplating

内导体 Conduct	镀青铜镀金 QBe2-Y/ Gold Plating
介质 Insulator	聚四氟乙烯 PTFE
外壳 Body	黄铜镀金 Brass / Gold Plating
其他零件 Other Parts	黄铜镀镍 Brass / Nickel Plating

电气性能
Electric Performance

阻抗 Impedance	75 欧姆 75OHMS
频率范围 Frequency Range	0-2GHz
驻波比 VSWR	≤1.25
额定电压 Rating Voltage	330V

Unless otherwise specified, tolerances as below: .x ±0.15 .xx ±0.1 .xxx ±0.05 Angle: ±2°	Material:	See Notes	Weight	-	 Lenor 乐福士
	Finish:	See Notes	Scale	-	
	Unit	mm	Page	01	
	REV.	V1.0	DWG No	-	
Drawn	Date:	Projection		P/N 料号	81-7060-104-02
Checked	Date:	Title: L9 JACK BHD CRIMP FOR ST212			
Approved	Date:	品名			