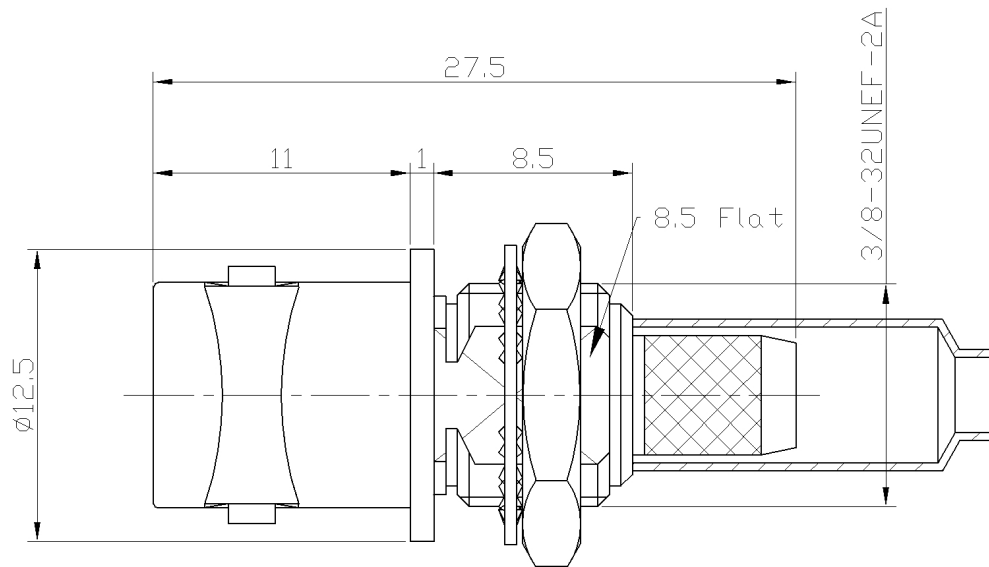


RevNo	Revision note	Date	Signature	Checked
V1.0	Sketch only			

RoHS Compliant.





**材料与电镀  
Materials&Electroplating**

内导体 Conduct	锡磷青铜镀金 Phosphor Bronze/ Gold Plating
介质 Insulator	聚四氟乙烯 PTFE
外壳 Body	黄铜镀镍 Brass/ Nickel Plating
其他零件 Other Parts	黄铜镀镍 Brass/ Nickel Plating

**电气性能  
Electric Performance**

阻抗 Impedance	50 欧姆 OHMS
频率范围 Frequency Range	0-3GHz
驻波比 VSWR	≤1.25
额定电压 Rating Voltage	500V

Unless otherwise specified,  
tolerances as below:  
.x ±0.15  
.xx ±0.1  
.xxx ±0.05  
Angle: ±2°

Material:	See Notes	Weight	-	 <b>Lenor 乐福士</b>	
Finish:	See Notes	Scale	-		
Unit	mm	Page	01		
REV.	V1.0	DWG No	-		
Drawn	Date:	Projection		P/N 料号	82-5061-115-03
Checked	Date:	Title:			
Approved	Date:	品名			BNC JACK BHD CRIMP FOR RG316D CABLE

4

4

3

3

2

2

1

1

A

B

C

D

E

F