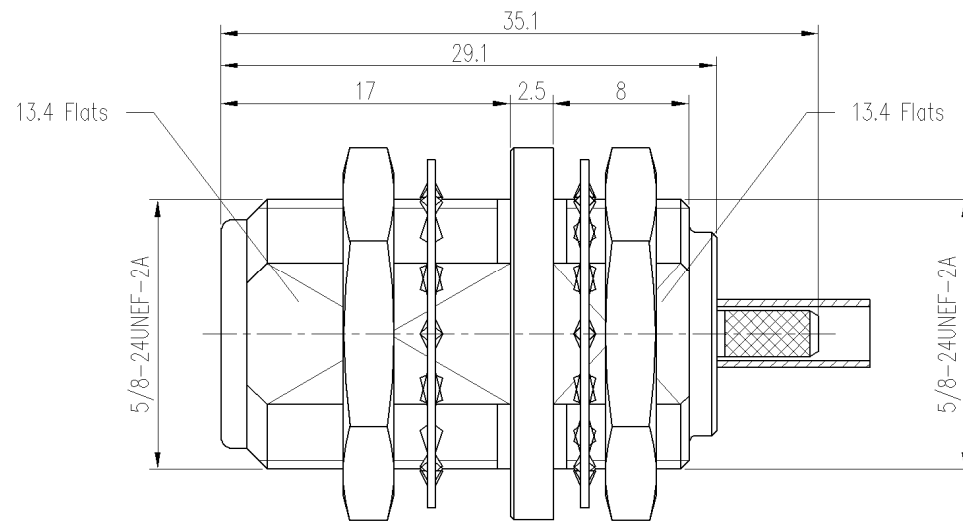




A		B		C		D		E		F	
RevNo	Revision note	Date	Signature	Checked	RoHS Compliant.						
V1.0	Sketch only										



材料与电镀 Materials&Electroplating	
内导体 Conduct	锡磷青铜/镀金 Phosphor Bronze/Gold Plating
介质 Insulator	聚四氟乙烯 PTFE
外壳 Body	黄铜/镀镍 Brass/Nickel Plating
其他零件 Other Parts	黄铜/镀镍 Brass/Nickel Plating
电气性能 Electric Performance	
阻抗 Impedance	50 欧姆 50 Ohms
频率范围 Frequency Range	0~3Ghz
驻波比 VSWR	1.25
额定电压 Rating Voltage	350VAC

Unless otherwise specified, tolerances as below: .x ±0.15 .xx ±0.1 .xxx ±0.05 Angle: ±2°	Material:	See Notes	Weight	-	 Lenor 乐福士
	Finish:	See Notes	Scale	-	
	Unit	mm	Page	01	
	REV.	V1.0	DWG No	-	
Drawn	Date:	Projection		Cust P/N.	P/N 料号
Checked	Date:	Title:			87-5061-115-04
Approved	Date:	品名			
					N JACK BHD CRIMP FOR RG316 CABLE

4
3
2
1

4
3
2
1

A		B		C		D		E		F	
---	--	---	--	---	--	---	--	---	--	---	--