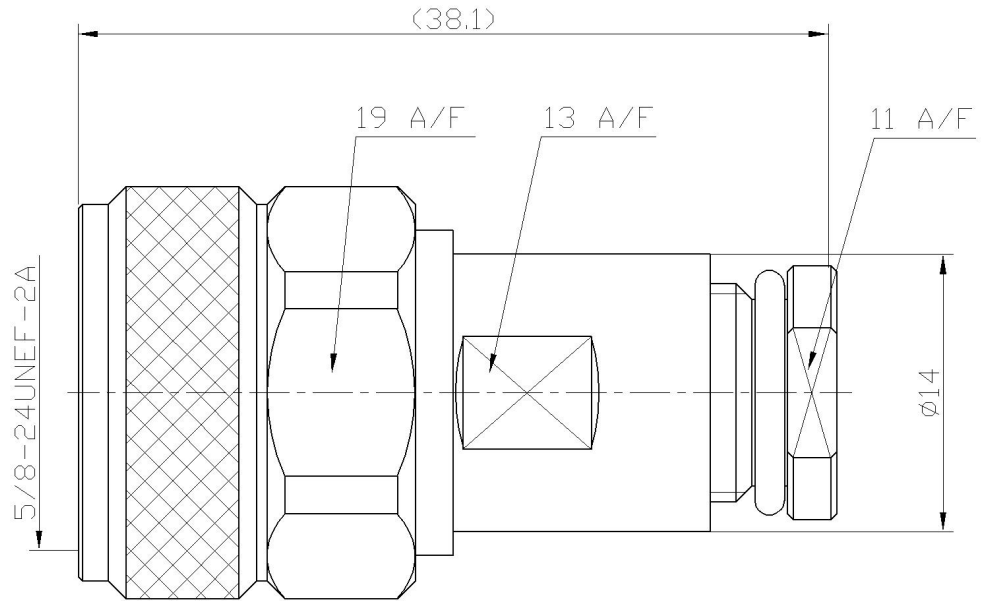


RevNo	Revision note	Date	Signature	Checked
V1.0	Sketch only			

RoHS Compliant.



材料与电镀
Materials&Electroplating

内导体 Conduct	黄铜/镀金 Brass/Gold Plating
介质 Insulator	聚四氟乙烯 PTFE
外壳 Body	黄铜/镀镍 Brass/Nickel Plating
其他零件 Other Parts	黄铜/镀镍 Brass/Nickel Plating

电气性能
Electric Performance

阻抗 Impedance	50 欧姆 50 Ohms
频率范围 Frequency Range	0~3Ghz
驻波比 VSWR	1.25
额定电压 Rating Voltage	350VAC

Unless otherwise specified, tolerances as below:
 .x ± 0.15
 .xx ± 0.1
 .xxx ± 0.05
 Angle: $\pm 2^\circ$

Material:	See Notes	Weight	-
Finish:	See Notes	Scale	-
Unit	mm	Page	01
REV.	V1.0	DWG No	-
Drawn	Date:	Projection	
Checked	Date:	Title:	
Approved	Date:	品名	N PLUG CLAMP FOR FLEX5 CABLE



P/N 料号 87-5161-221-02

Cust P/N.