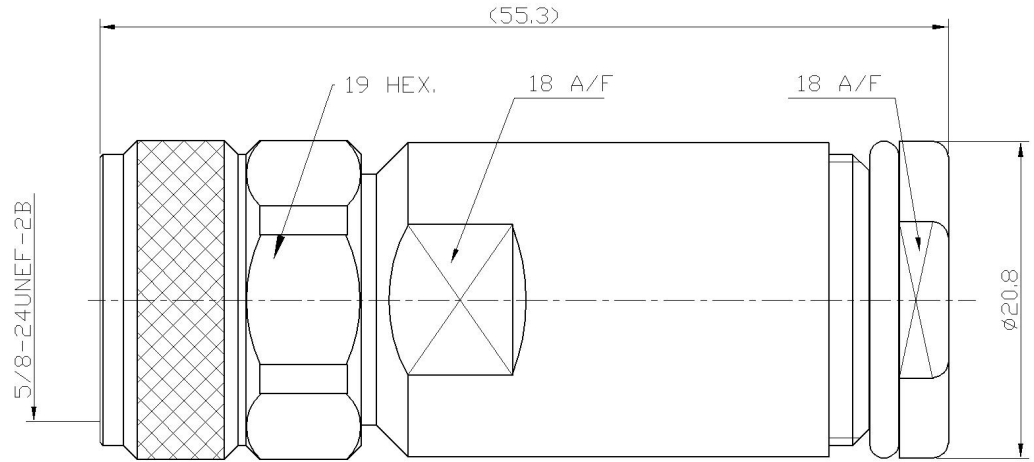


RevNo	Revision note	Date	Signature	Checked
V1.0	Sketch only			



**材料与电镀  
Materials&Electroplating**

内导体 Conduct	黄铜/镀金 Brass/Gold Plating
介质 Insulator	聚四氟乙烯 PTFE
外壳 Body	黄铜/镀镍 Brass/Nickel Plating
其他零件 Other Parts	黄铜/镀镍 Brass/Nickel Plating

**电气性能  
Electric Performance**

阻抗 Impedance	50 欧姆 50 Ohms
频率范围 Frequency Range	0~3Ghz
驻波比 VSWR	1.25
额定电压 Rating Voltage	350VAC

Unless otherwise specified, tolerances as below:  
 .x ±0.15  
 .xx ±0.1  
 .xxx ±0.05  
 Angle: ±2°

Material:	See Notes	Weight	-
Finish:	See Notes	Scale	-
Unit	mm	Page	01
REV.	V1.0	DWG No	-
Drawn	Date:	Projection	第一角投影
Checked	Date:	Title:	
Approved	Date:	品名	N PLUG CLAMP FOR FLEX13 CABLE



P/N 料号 87-5161-224-01  
 Cust P/N.