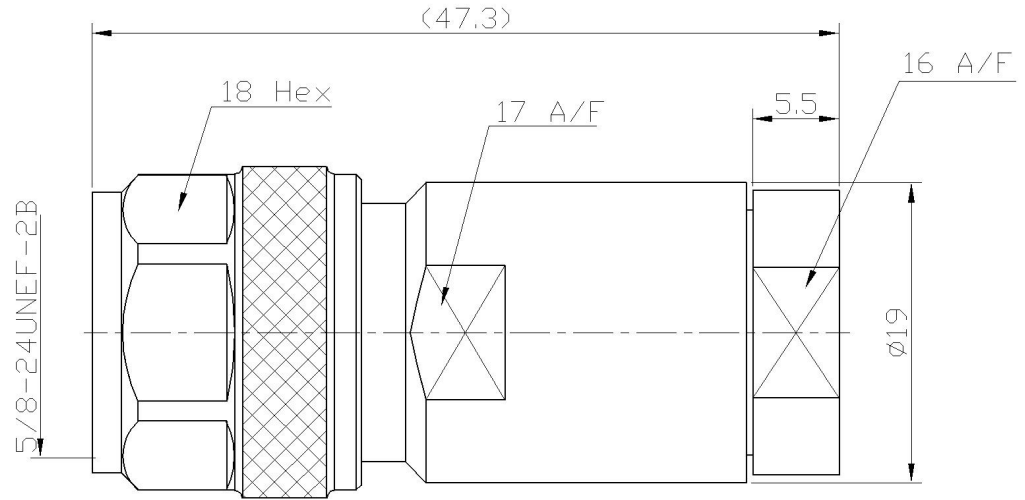


RevNo	Revision note	Date	Signature	Checked
V1.0	Sketch only			

RoHS Compliant.




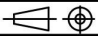
**材料与电镀**  
**Materials&Electroplating**

内导体 Conduct	黄铜/镀金 Brass/Gold Plating
介质 Insulator	聚四氟乙烯 PTFE
外壳 Body	黄铜/镀镍 Brass/Nickel Plating
其他零件 Other Parts	黄铜/镀镍 Brass/Nickel Plating

**电气性能**  
**Electric Performance**

阻抗 Impedance	50 欧姆 50 Ohms
频率范围 Frequency Range	0~3Ghz
驻波比 VSWR	1.25
额定电压 Rating Voltage	350VAC

Unless otherwise specified,  
tolerances as below:  
.x ±0.15  
.xx ±0.1  
.xxx ±0.05  
Angle: ±2°

Material:	See Notes	Weight	-	 <b>Lenor 乐福士</b>	
Finish:	See Notes	Scale	-		
Unit	mm	Page	01		
REV.	V1.0	DWG No	-		
Drawn	Date:	Projection		P/N 料号	87-5161-244-01
Checked	Date:	Title:	N PLUG CLAMP FOR 3/8R CABLE		
Approved	Date:	品名			