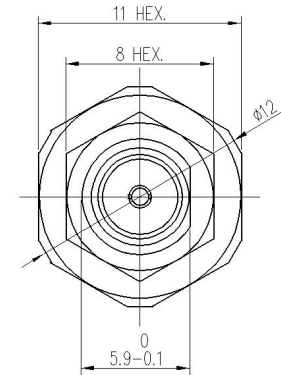
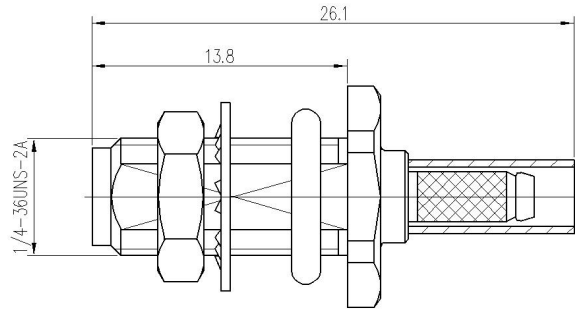




RevNo	Revision note	Date	Signature	Checked
V1.0	Sketch only			



<b>材料与电镀</b> Materials&Electroplating	
内导体 Conduct	铍青铜/镀金 Beryllium Copper/Gold Plating
介质 Insulator	聚四氟乙烯 PTFE
外壳 Body	黄铜/镀金 Brass/Gold Plating
其他零件 Other Parts	黄铜/镀金 Brass/Gold Plating
<b>电气性能</b> Electric Performance	
阻抗 Impedance	50 欧姆 50 OHMS
频率范围 Frequency Range	0-12.4GHz
驻波比 VSWR	1.15+0.06*F(GHz)
额定电压 Rating Voltage	170VAC

Unless otherwise specified, tolerances as below: .x ±0.15 .xx ±0.1 .xxx ±0.05 Angle: ±2°	Material:	See Notes	Weight	-	 <b>Lenor 乐福士</b>
	Finish:	See Notes	Scale	-	
	Unit	mm	Page	01	
	REV.	V1.0	DWG No	-	
Drawn	Date:	Projection		P/N 料号	89-5061-114-01
Checked	Date:	Title:		Cust P/N.	
Approved	Date:	品名		SMA JACK BHD CRIMP FOR RG178 CABLE	