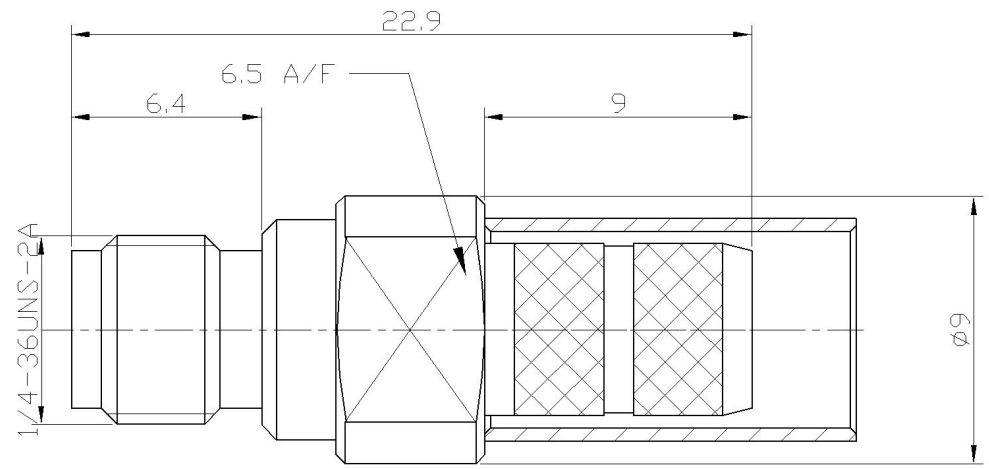


RevNo	Revision note	Date	Signature	Checked
V1.0	Sketch only			

RoHS Compliant.





**材料与电镀**  
**Materials&Electroplating**

内导体 Conduct	铍青铜/镀金 Beryllium Copper/Gold Plating
介质 Insulator	聚四氟乙烯 PTFE
外壳 Body	黄铜/镀金 Brass/Gold Plating
其他零件 Other Parts	黄铜/镀金 Brass/Gold Plating

**电气性能**  
**Electric Performance**

阻抗 Impedance	50 欧姆 50 OHMS
频率范围 Frequency Range	0-6GHz
驻波比 VSWR	1.22
额定电压 Rating Voltage	335VAC

Unless otherwise specified, tolerances as below: .x ±0.15 .xx ±0.1 .xxx ±0.05 Angle: ±2°	Material:	See Notes	Weight	-	 <b>Lenor 乐福士</b>
	Finish:	See Notes	Scale	-	
	Unit	mm	Page	01	
	REV.	V1.0	DWG No	-	
Drawn	Date:	Projection		P/N 料号	89-5061-121-01
Checked	Date:	Title: SMA JACK CRIMP FOR LMR240 CABLE			
Approved	Date:	品名			

4

4

3

3

2

2

1

1

A

B

C

D

E

F