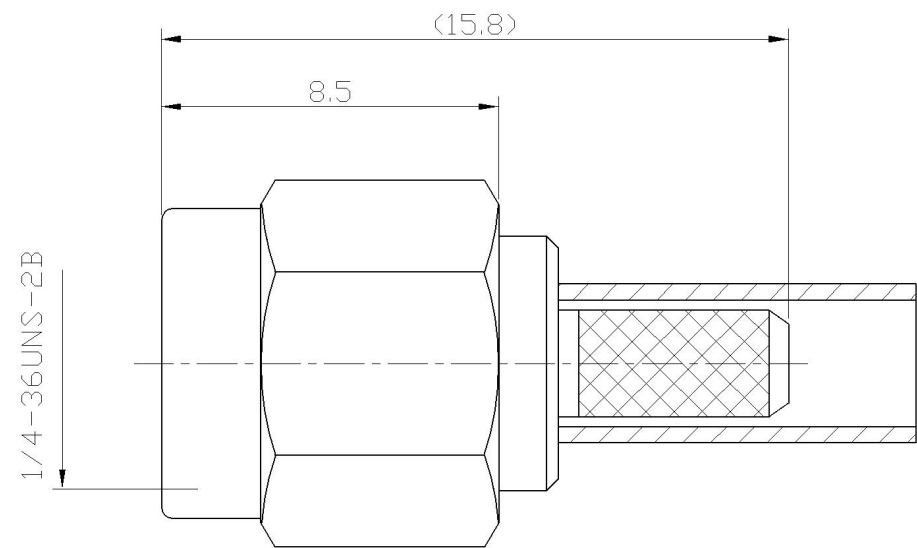




| | | | | |
|-------|---------------|------|-----------|---------|
| RevNo | Revision note | Date | Signature | Checked |
| V1.0 | Sketch only | | | |



| | |
|--|-----------------------------|
| 材料与电镀 Materials&Electroplating | |
| 内导体 Conduct | 黄铜/镀金 Brass/Gold Plating |
| 介质 Insulator | 聚四氟乙烯 PTFE |
| 外壳 Body | 黄铜/镀金 Brass/Gold Plating |
| 其他零件 Other Parts | 黄铜/镀金 Brass/Gold Plating |
| 电气性能 Electric Performance | |
| 阻抗 Impedance | 50 欧姆 50 OHMS |
| 频率范围 Frequency Range | 0-3GHz |
| 驻波比 VSWR | 1.2 |
| 额定电压 Rating Voltage | 335VAC |

| | | | | | |
|--|-----------|---------------------------------------|---|-----------|--|
| Unless otherwise specified, tolerances as below: .x ±0.15 .xx ±0.1 .xxx ±0.05 Angle: ±2° | Material: | See Notes | Weight | - |  Lenor 乐福士 |
| | Finish: | See Notes | Scale | - | |
| | Unit | mm | Page | 01 | |
| | REV. | V1.0 | DWG No | - | P/N 料号 |
| Drawn | Date: | Projection |  | Cust P/N. | |
| Checked | Date: | Title: SMA PLUG CRIMP FOR RG316 CABLE | | | |
| Approved | Date: | 品名 | | | |