

# Specification

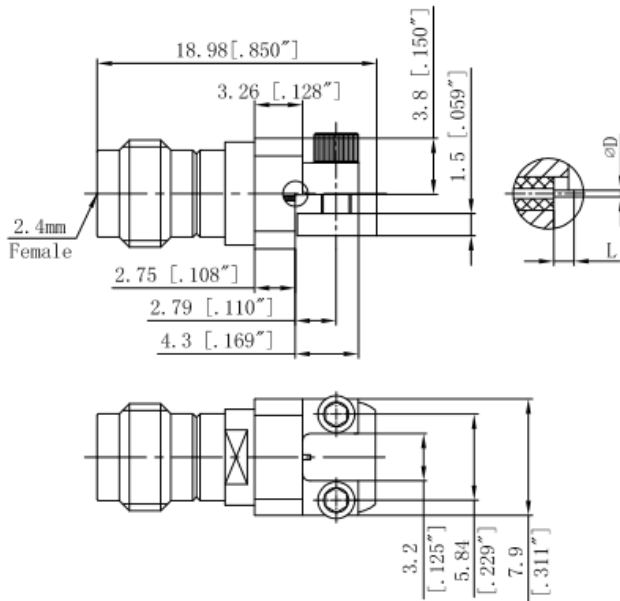
# LenoRF

Product Name 2.4mm Connector Jack End Launch Solder For PCB

Part No

2.4-KCD10G

Dimension:



型号	∅D	L
2.4-KCD10G-0.13	0.13 [.005"]	0.76 [.030"]
2.4-KCD10G-0.18	0.18 [.007"]	0.76 [.030"]
2.4-KCD10G-0.25	0.25 [.010"]	1.27 [.050"]

## Electric Parameter

Impedance	50Ω
Insulation resistance	≥5000MΩ
Test Voltage	1000V
Temperature range	-55°C~+165°C
Frequency Range	DC~50GHz
VSWR	≤1.30:1
Durability	500 times

## Materials & Plating

	Material	Plating
Body	Stainless Steel	Passivation
Insulator	PEI	
Contact	CuBe	Gold