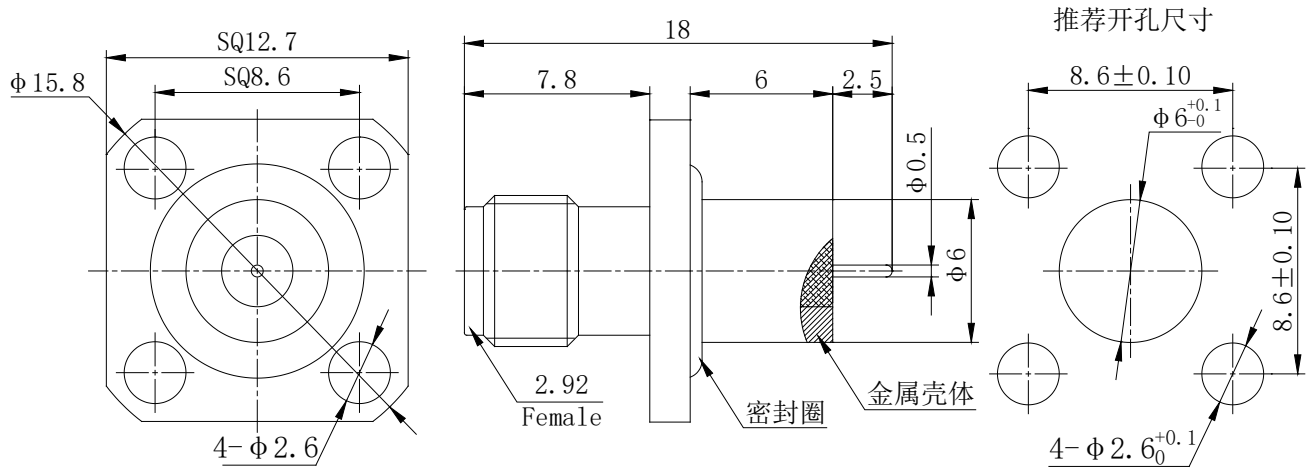


Specification

LenoRF

Product Name	3.5mm Connector Jack Flange Solder For Microstrip	Part No	2.92(M)-KFD69
--------------	---	---------	---------------

Dimension:



Electric Parameter

Impedance	50Ω
Insulation resistance	≥5000MΩ
Test Voltage	1000V
Temperature range	-55°C~+165°C
Frequency Range	DC~40GHz
VSWR	≤1.30:1
Durability	500 times

Materials & Plating

	Material	Plating
Body	Brass	Gold
Insulator	PEI	
Contact	CuBe	Gold