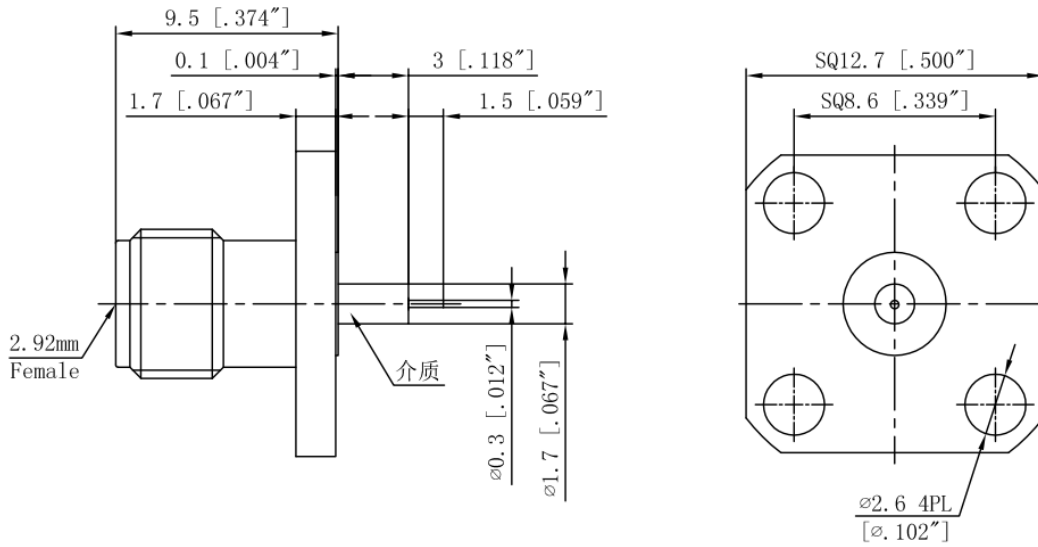


Specification		LenoRF	
Product Name	2.4mm Connector Jack Flange Solder For Microstrip	Part No	2.92-KFD17G

Dimension:



Electric Parameter

Impedance	50 Ω
Insulation resistance	$\geq 5000M\Omega$
Test Voltage	1000V
Temperature range	-55 $^{\circ}C \sim +165^{\circ}C$
Frequency Range	DC~40GHz
VSWR	$\leq 1.25:1$
Durability	500 times

Materials & Plating

	Material	Plating
Body	Stainless Steel	Passivation
Insulator	PEI	
Contact	CuBe	Gold