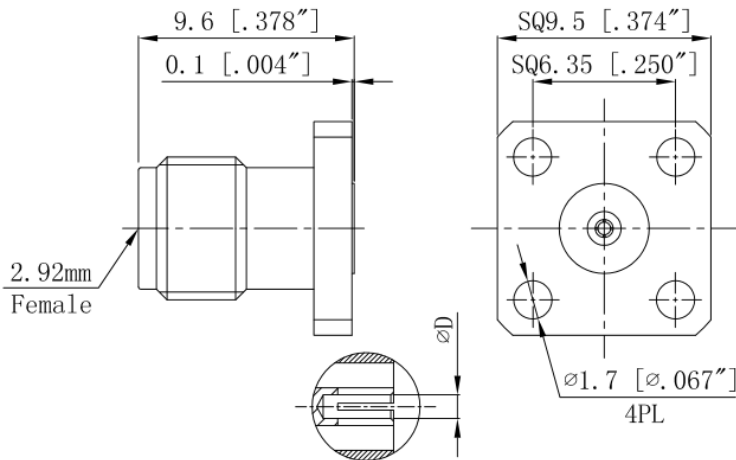


Specification		LenoRF	
Product Name	2.92 mm Connector Jack 4-hole Flange Solder For Microstrip	Part No	2.92-KFD35G-XX

Dimension:



型号	插孔直径 ϕ D
2.92-KFD35G-0.23	0.23mm [.009"]
2.92-KFD35G-0.3	0.3mm [.012"]
2.92-KFD35G-0.38	0.38mm [.015"]
2.92-KFD35G-0.51	0.51mm [.020"]

Electric Parameter

Impedance	50 Ω
Insulation resistance	$\geq 5000M\Omega$
Test Voltage	1000V
Temperature range	-55 $^{\circ}C \sim +125^{\circ}C$
Frequency Range	DC~40GHz
VSWR	$\leq 1.20:1$
Durability	500 times

Materials & Plating

	Material	Plating
Body	Stainless Steel	Passivation
Insulator	PEI	
Contact	CuBe	Gold