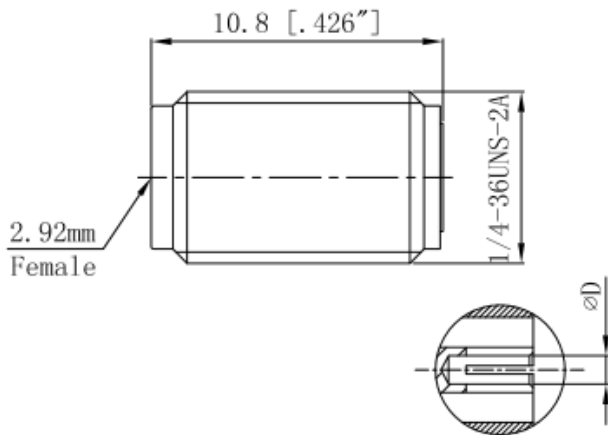


Specification		LenoRF	
Product Name	2.4mm Connector Jack Straight With Glass Beads	Part No	2.92-KYD02G-XX

Dimension:



型号	插孔直径øD
2.92-KYD02G-0.23	0.23mm [.009"]
2.92-KYD02G-0.3	0.3mm [.012"]
2.92-KYD02G-0.38	0.38mm [.015"]
2.92-KYD02G-0.51	0.51mm [.020"]

Electric Parameter

Impedance	50Ω
Insulation resistance	≥5000MΩ
Test Voltage	1000V
Temperature range	-55°C~+165°C
Frequency Range	DC~40GHz
VSWR	≤1.25:1
Durability	500 times

Materials & Plating

	Material	Plating
Body	Stainless Steel	Passivation
Insulator	PEI	
Contact	CuBe	Gold